

DH-IPC-HUM8230-E1

2MP Covert Pinhole Network Camera



- 1/2.8" 2Megapixel progressive scan Exmor R CMOS
- H.265&H.264 triple-stream encoding
- 25/30fps@1080P(1920×1080)
- Day/Night(Electronic), 3DNR,AWB,AGC,BLC
- Smart detection
- 2.8mm Fixed Lens
- Micro SD memory, PoE



System Overview

Dahua covert camera used modular design, provide an independent main unit and a miniature sensor unit (with 8-meters cable), with cylindrical pinhole lens and cylindrical standard lens for the customers to choose,It can be easily installed into any indoor environments, make this camera ideal for the ATMs(Automatic Teller Machines), banks, stores, hotels and offices.

Functions

Intelligent Video System (IVS)

Dahua camera has a built-in video analysis based on intelligent algorithms and can achieve the following: Tripwire, Intrusion, Abandoned/ Missing can timely, quickly and accurately respond to monitoring events in specific area. It enhances monitoring efficiency. At the same time, the camera can support face detection, it can quickly capture a face and upload the image to the server. In addition the camera also supports intelligent tamper detection, through dramatic changes in the scene it will send out warning information to ensure effective monitoring.

Protection

Supporting $\pm 30\%$ input voltage tolerance, this camera suits even the most unstable conditions for outdoor applications. Its 6KV lightning rating provides effective protection for both the camera and its structure against lightning.

HEVC (H.265)

H.265 ITU-T VCEG is a new video coding standard. H.265 Following standard developed around the existing video coding standard H.264, some retain the original technology, while some of the relevant technology to improve the new technology uses advanced technology to improve the relationship between the code stream, encoding quality, and the delay between algorithm complexity, optimize settings specific contents include: Improve compression efficiency, improve the robustness and error recovery capabilities, real-time to reduce the delay, reduce channel acquisition time and a random access delay, reduce complexity, etc

Smart H.265+

Deliver high quality video without straining the network, Smart H.265+ is the optimized implementation of H.265. The Smart H.265+ encoding technology includes a scene adaptive encoding strategy, dynamic GOP, dynamic ROI, flexible multi-frame reference structure and intelligent noise reduction, providing saving of up to 70% of bandwidth and storage when compared with standard H.265.

Technical Specification

Camera

Image Sensor	1/2.8" 2Megapixel progressive scan Exmor R CMOS
Effective Pixels	1920(H)x1080(V)
RAM/ROM	256MB/32MB
Scanning System	Progressive
Minimum Illumination	L1: 0.07Lux/F2.4 (Color), 0.007Lux/F2.4 (B/W) L3: 0.009Lux/F1.8 (Color), 0.001Lux/F1.8 (B/W)
S/N Ratio	More than 50dB
IR Distance	N/A
IR On/Off Control	N/A
IR LEDs	N/A

Lens

Lens Type	Fixed
Mount Type	Board-in
Focal Length	2.8mm
Max. Aperture	Sensor Unit L1:F2.4 Sensor Unit L3:F1.8
Angle of View	Sensor Unit L1 H:104° ,V:57° Sensor Unit L3 H:118° ,V:60°
Optical Zoom	N/A
Focus Control	Fixed
Close Focus Distance	N/A

Pan/Tilt/Rotation

Pan/Tilt/Rotation Range	N/A
-------------------------	-----

Intelligence

IVS (optional)	Tripwire, Intrusion, Object Abandoned/Missing
Advanced Intelligent Functions	Face Detection

Video

Compression	H.265+/H.265/H.264+/H.264
Streaming Capability	3 Streams
Resolution	1080P(1920x1080)/ 1.3M(1280x960)/ 720P(1280x720)/ D1(704x576/704x480)/ VGA(640x480)/ CIF(352x288/342x240)
Frame Rate	Main Stream: 1080P(1~25/30fps)
	Sub Stream: D1 (1 ~ 25/30fps)
	Third Stream: 1080P(1~25/30fps)
Bit Rate Control	CBR/VBR
Bit Rate	H.264: 24Kbps~ 9472Kbps H.265: 14Kbps~ 5632Kbps
Day/Night	Electronic
BLC Mode	BLC / HLC / DWDR

White Balance	Auto/Natural/Street Lamp/Outdoor/Manual
Gain Control	Auto/Manual
Noise Reduction	3D DNR
Motion Detetion	Off / On (4 Zone, Rectangle)
Region of Interest	Off / On (4 Zone)
Electronic Image Stabilization (EIS)	N/A
Smart IR	N/A
Defog	N/A
Digital Zoom	16x
Flip	0°/90°/180°/270°
Mirror	Off / On
Privacy Masking	Off / On (4 Area, Rectangle)

Audio

Compression	G.711a/ G.711Mu/ AAC/ G.726
-------------	-----------------------------

Network

Ethernet	RJ-45 (10/100Base-T)
Protocol	HTTP;HTTPS;TCP;ARP;RTSP;RTP;UDP;SMTP;FTP; DHCP;DNS;DDNS;PPPOE;IPv4/v6;QoS;UPnP;NTP; Bonjour;802.1x;Multicast;IGMP;SNMP
Interoperability	ONVIF, PSIA, CGI
Streaming Method	Unicast / Multicast
Max. User Access	10 Users/20 Users
Edge Storage	NAS Local PC for instant recording Mirco SD card 128GB
Web Viewer	IE, Chrome, Firefox, Safari
Management Software	Smart PSS, DSS, Easy4ip
Smart Phone	IOS, Android

Certifications

Certifications	CE (EN 60950:2000) UL:UL60950-1 FCC: FCC Part 15 Subpart B
----------------	--

Interface

Video Interface	N/A
Audio Interface	1/1 channel In/Out
RS232	1 port
Alarm	2/2 channel In/Out

Electrical

Power Supply	DC12V, PoE(802.3af)(Class 0)
Power Consumption	<6W

Environmental

Operating Conditions	-30° C ~ +60° C (-22° F ~ +140° F) / Less than 95% RH
Storage Conditions	-30° C ~ +60° C (-22° F ~ +140° F) / Less than 95% RH
Ingress Protection	N/A
Vandal Resistance	N/A

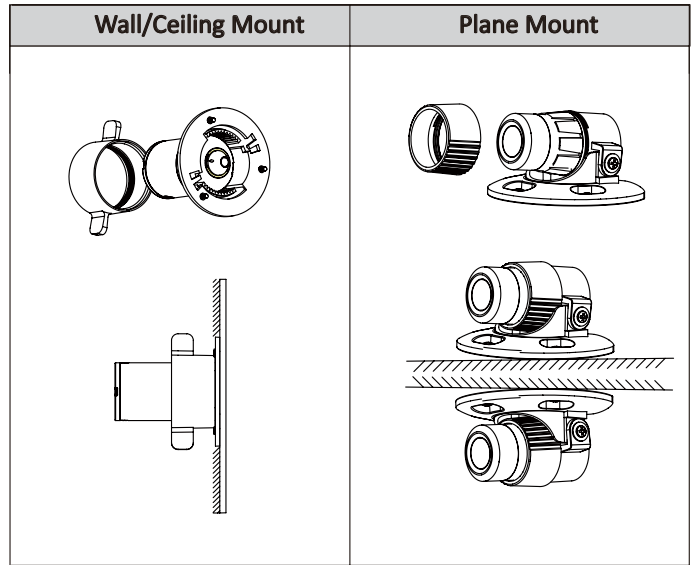
Construction

Casing	Metal
Dimensions	Main Unit:110.0mm×82.7mm×24.0mm (4.33"×3.26"×0.95") Sensor Unit L1:Φ26.5mm×48.31mm(Φ1.04"×1.9") Sensor Unit L3:Φ26.5mm×50.38mm(Φ1.04"×2.0")
Net Weight	Main Unit:0.2Kg (lb) Sensor Unit L1:0.22Kg (lb) Sensor Unit L3:0.235Kg (lb)
Gross Weight	Main Unit:0.36Kg (lb) Sensor Unit L1:0.31Kg (lb) Sensor Unit L3:0.325Kg (lb)

Ordering Information

Type	Part Number	Description
2MP camera	DH-IPC-HUM8230P-E1	2MP Covert Pinhole Network Camera, Main Unit, PAL
	DH-IPC-HUM8230N-E1	2MP Covert Pinhole Network Camera, Main Unit, NTSC
	IPC-HUM8230P-E1	2MP Covert Pinhole Network Camera, Main Unit, PAL
	IPC-HUM8230N-E1	2MP Covert Pinhole Network Camera, Main Unit, NTSC
	IPC-HUM8230-L1	2MP Cylindrical Sensor Unit, Pinhole Lens with 8 meters Cable
	IPC-HUM8230-L3	2MP Cylindrical Sensor Unit, Standard Lens with 8 meters Cable
Accessories (included)	Sensor Unit L1	Pinhole Wall/Ceiling Mounting Bracket
	Sensor Unit L3	Pinhole Plane Mounting Bracket

Accessories



Dimensions (mm/inch)

